



75W Dual Output Switching Power Supply

IRD-75 series



◆ Features:

- * Universal AC input / Full range
- * Protections: Short circuit / Overload / Over voltage
- * Cooling by free air convection
- * 100% full load burn-in test
- * 2 years warranty



MODEL		IRD-75 I		IRD-75 II	
OUTPUT	OUTPUT NUMBER	CH1	CH2	CH1	CH2
	DC VOLTAGE	5V	12V	5V	24V
	RATED CURRENT	7A	3A	5A	2A
	CURRENT RANGE	1~8A	0.3~4A	1~6A	0.2~3A
	RATED POWER	71W		73W	
	RIPPLE&NOISE (max.) Note.2	80mVp-p	120mVp-p	80mVp-p	200mVp-p
	VOLTAGE ADJ. RANGE	CH1: 4.75 ~ 5.5V		CH1: 4.75 ~ 5.5V	
	VOLTAGE TOLERANCE Note.3	±2.0%	±6.0%	±2.0%	±6.0%
	LINE REGULATION Note.4	±0.5%	±1.0%	±0.5%	±1.0%
	LOAD REGULATION Note.5	±1.5%	±3.0%	±1.5%	±3.0%
	SETUP, RISE TIME	500ms, 30ms/230VAC 1200ms,30ms/115VAC at full load			
HOLD UP TIME (Typ.)	50ms/230VAC 10ms/115VAC at full load				
INPUT	VOLTAGE RANGE	88~ 264VAC 125 ~ -373VDC			
	FREQUENCY RANGE	47 ~ 63HZ			
	EFFICIENCY (Typ.)	78%		81%	
	AC CURRENT (Typ.)	1.5A/115VAC 0.9A/230VAC			
	INRUSH CURRENT (Typ.)	COLD START 36A/230VAC			
LEAKAGE CURRENT	<2mA / 240VAC				
PROTECTION	OVERLOAD	110 ~ 150% rated output power Protection type: Hiccup mode, recovers automatically after fault condition is removed			
	OVER VOLTAGE	CH1: 5.75 ~ 6.75V Protection Type: Hiccup mode, recovers automatically after fault condition is removed			
ENVIRONMENT	WORKING TEMP.	-20 ~ +70 (Refer to "Derating Curve")			
	WORKING HUMIDITY	20%~ 90%,RH non-condensing			
	STORAGE TEMP., HUMIDITY	-40 ~ +85°C, 10 ~ 95%RH			
	TEMP. COEFFICIENT	±0.03%/°C (0 ~ 50°C) on CH1 output			
	VIBRATION	10-500HZ, 5G 10min./1 cycle, period for 60min. each along X, Y, Z axes			
SAFETY & EMC (Note 6)	SAFETY STANDARDS	UL60950-1, CCC GB4943 approved			
	WITHSTAND VOLTAGE	I/P-O/P:3KVAC I/P-FG:2KVAC O/P-FG0.5KVAC			
	ISOLATION RESISTANCE	I/P-O/P,I/P-FG:100MOhms/ 500VDC / 25°C/ 70%RH			
	EMC EMISSION	Compliance to EN55032 (CISPR32) Class B, EN61000-3-2, EAC TP TC 020			
	EMC IMMUNITY	Compliance to EN61000-4-2,3,4,5,6,8,11, EN5502, EN61000-6-2, heavy industry level, criteria A, EAC TP TC 020			
OTHERS	MTBF	381.3Khrs min. MIL-HDBK-217F (25°C)			
	DIMENSION	110*77.8*35.5mm (L*W*H)			
	PACKING	0.52Kg; 30pcs/16.6Kg/0.97CUF			

NOTE

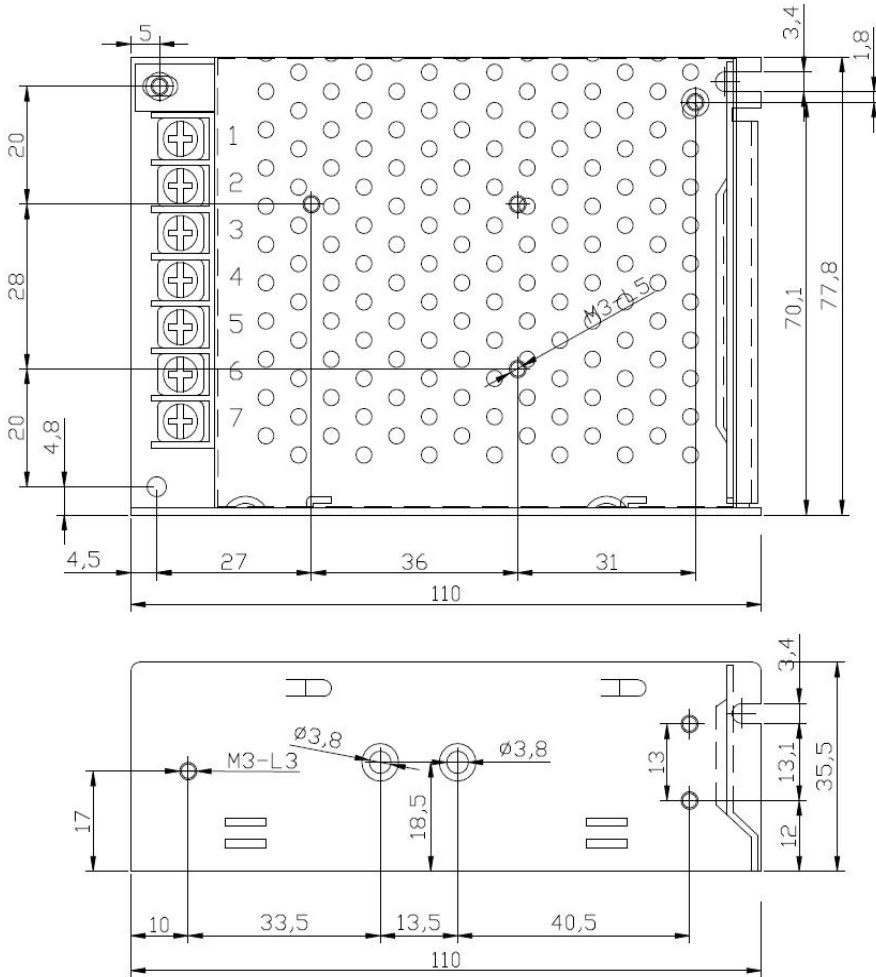
- All parameter NOT specially mentioned are measured at 230VAC input, rated load and 25°C of ambient temperature.
- Ripple & noise are measured at 20MHz of bandwidth by using a 12" twisted pair-wire terminated with a 0.1uf & parallel capacitor.
- Tolerance: includes set up tolerance, line regulation and load regulation.
- Line regulation is measured from low line to high line at rated load.
- Load regulation is measured from 0% to 100% rated load.
- The power supply is considered a component which will be installed to a final equipment. All the EMC tests are been executed by mounting the unit on a 230mm*230mm metal plate with 1mm of thickness. The final equipment must be re-confirmed that it still meets EMC directives. For guidance on how to perform these EMC tests, please refer to "EMI testing of component power supplies."
- The ambient temperature derating of 3.5°C/1000m with fanless models and of 5°C/1000m with fan models for operating altitude higher than 2000mm (6500ft)



75W Dual Output Switching Power Supply

IRD-75 series

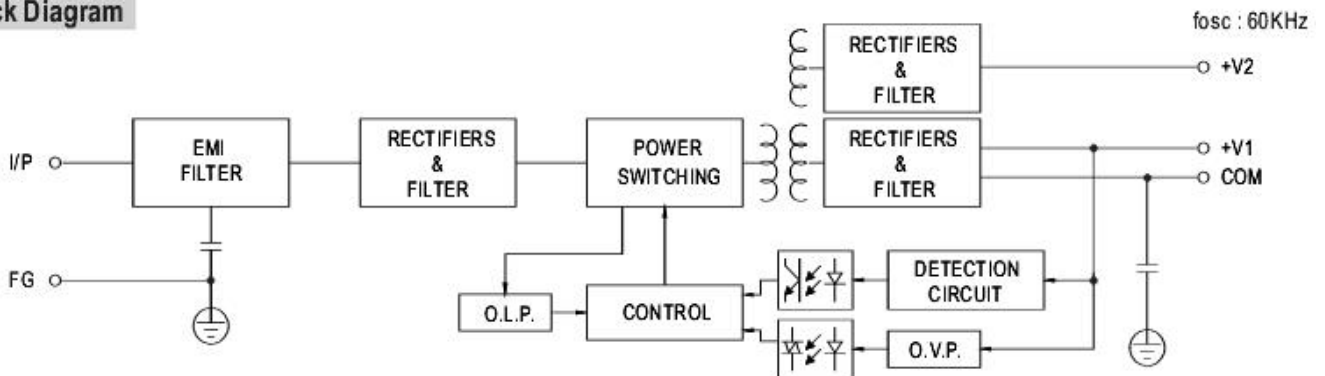
Dimension



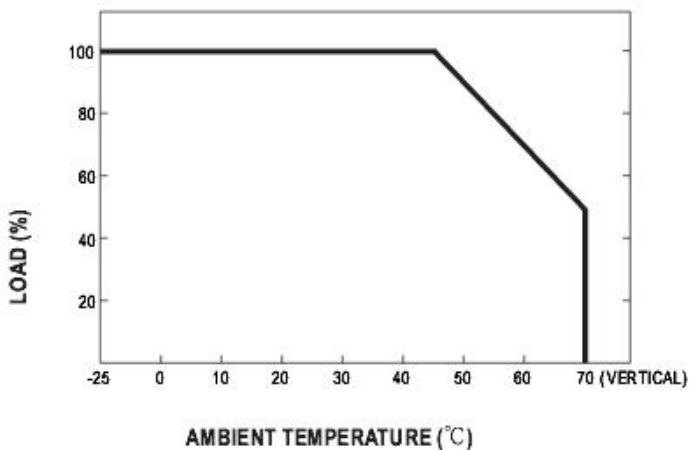
Terminal Pin No. Assignment

Pin No.	Assignment
1	AC/L
2	AC/N
3	FG
4,6	DC OUTPUT -V
5	DC OUTPUT +V2
7	DC OUTPUT +V1

Block Diagram



Derating Curve



Output Derating VS Input Voltage

